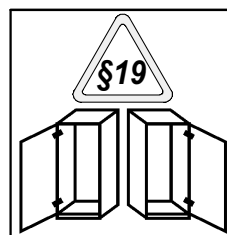
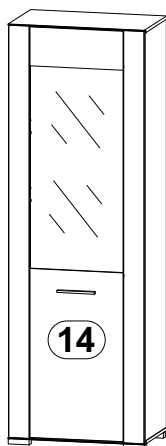


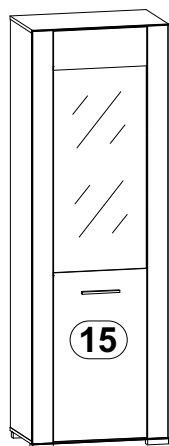
A	B	C		D
1	S311-104	1934	377	1/5
2	S311-105	1934	377	1/5
3	S311-902	1949	322	1/5
4	LH-1900	1900	14	1/5
5	S311-202	652	402	2/5
6	S311-203	652	402	2/5
7	S311-324	618	377	2/5
8	S311-325	618	377	2/5
9	S311-302	618	377	2/5
10	S311-303	618	377	2/5
11	S311-433	1934	100	3/5
12	S311-434	1934	100	3/5
13	S311-516	616	371	4/5
14	S311-001	446	1928	5/5
15	S311-012	446	1928	5/5
16	S311-902-01	1949	322	1/5



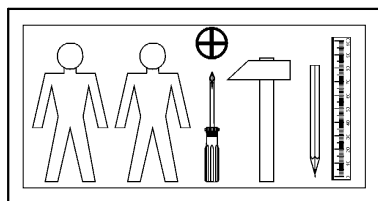
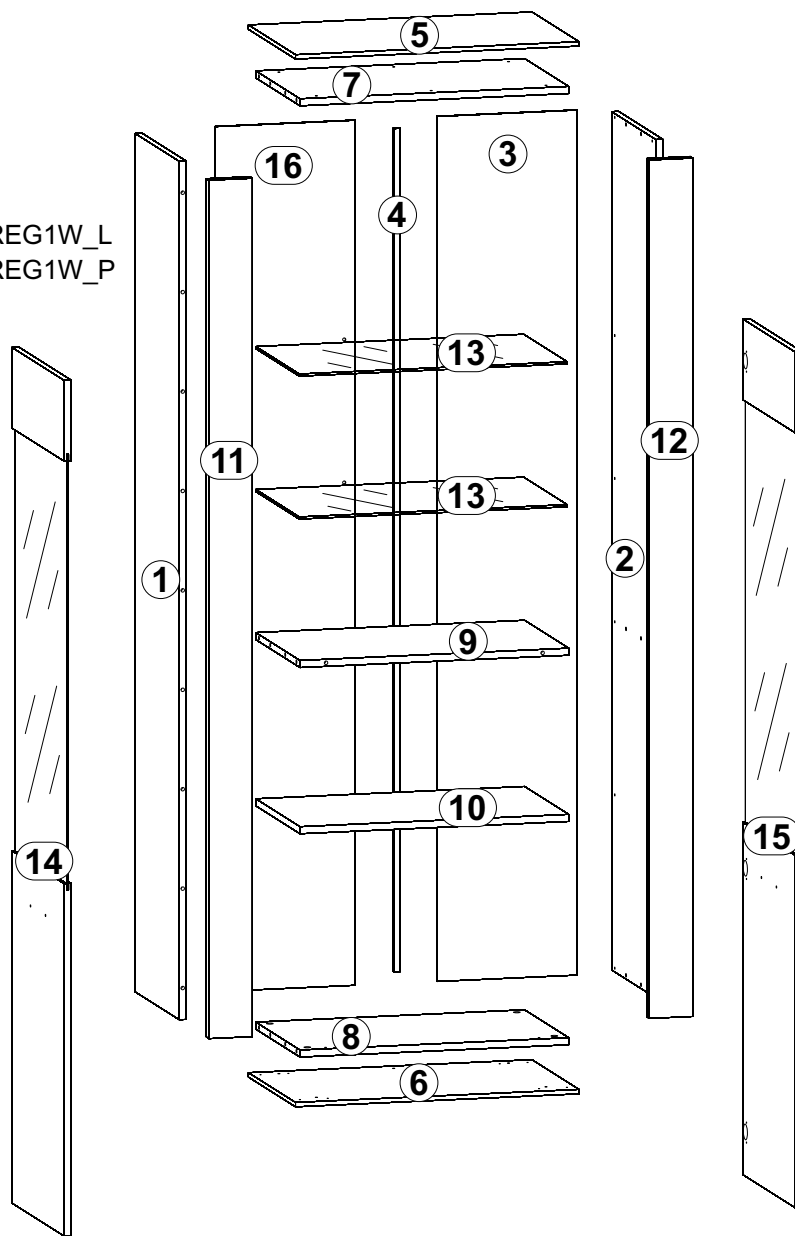
→ REG1W_L
→ REG1W_P



REG1W_L

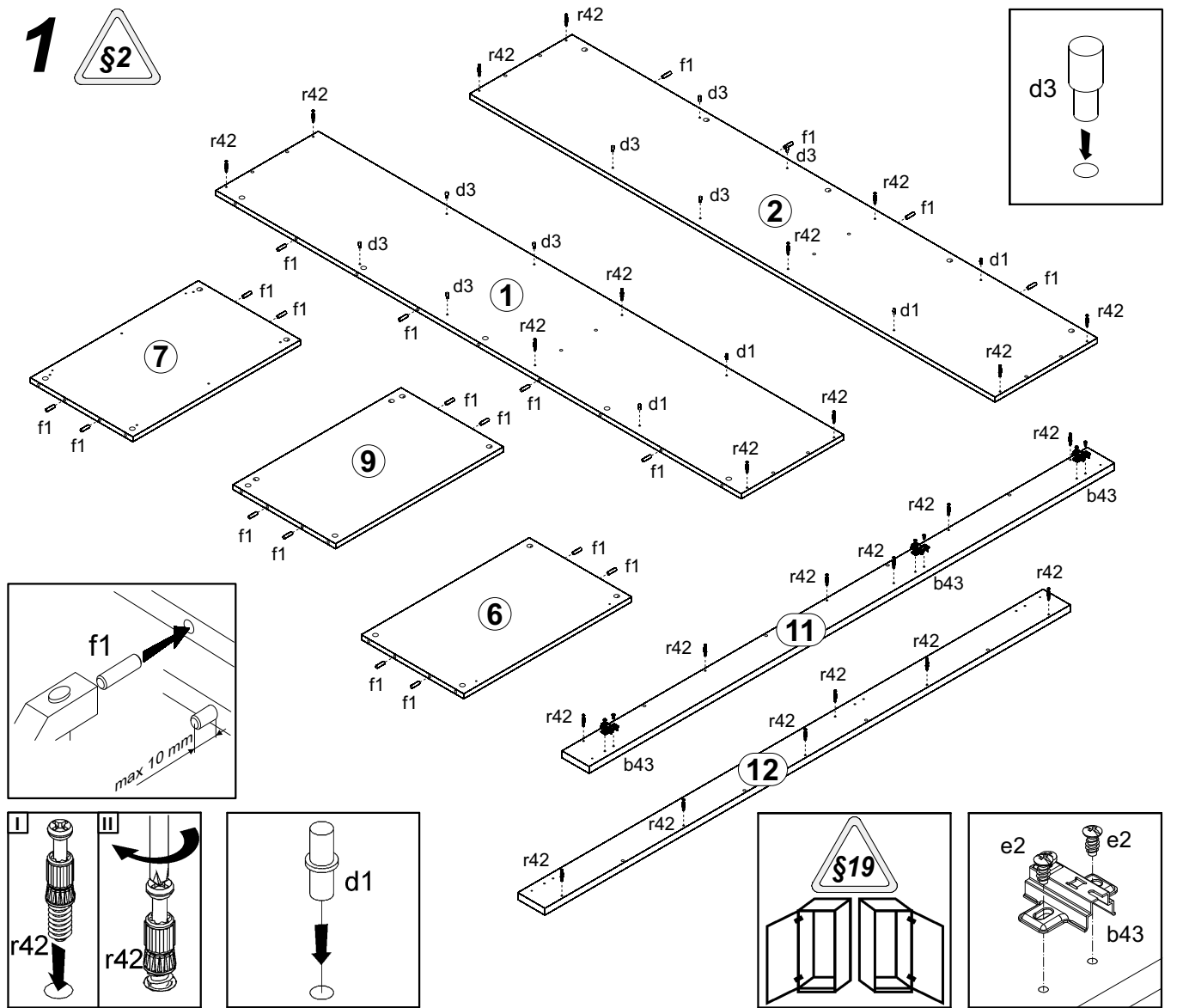


REG1W_P

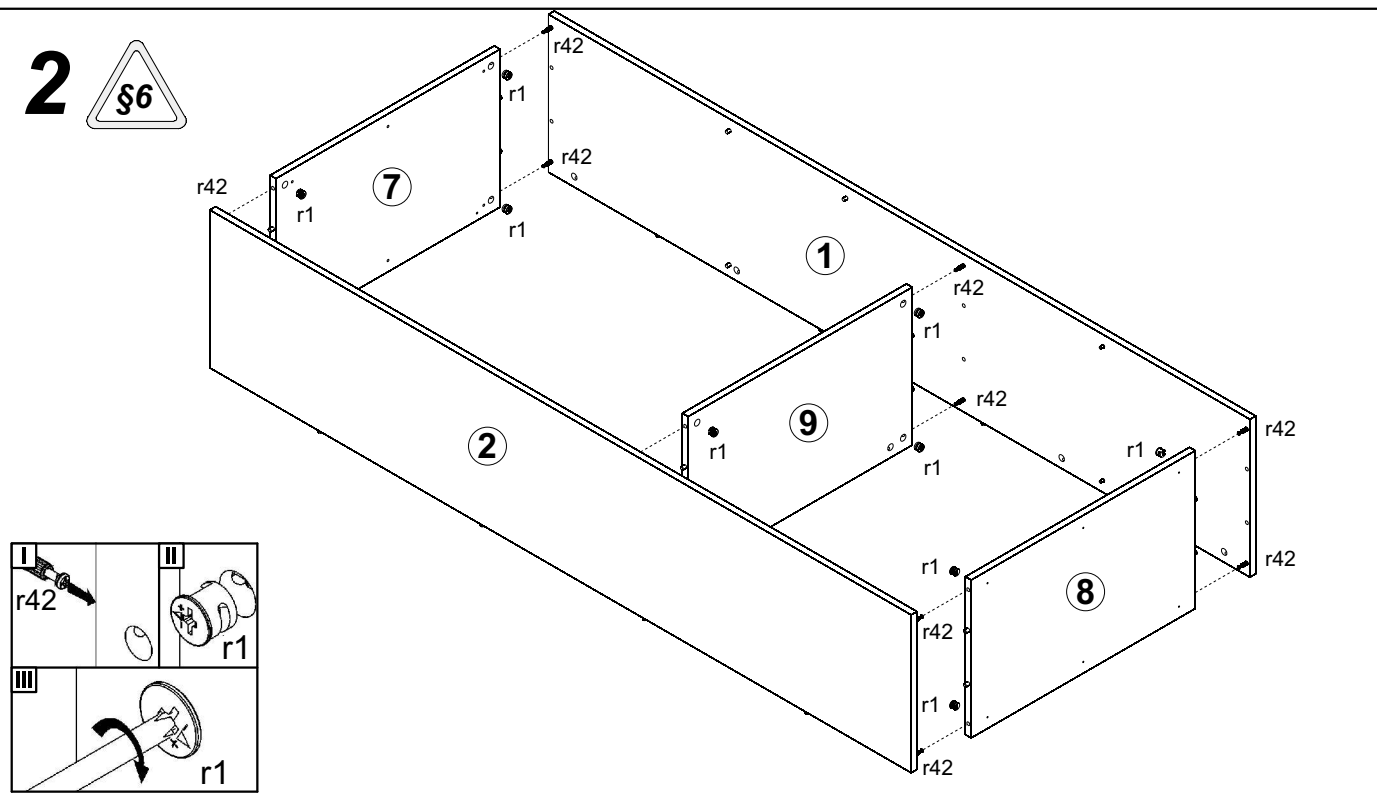


3x a99	3x b43	1x c392	4x d1	8x d3	6x e2	8x e41	20x f1
4x k87	60x l1	1x n26/1	4x n110	8x p9	1x p38	6x p51	6x p56
6x p401	2x p87	24x r1	24x r42	18x s2	2x o43/1	1x o43/6	

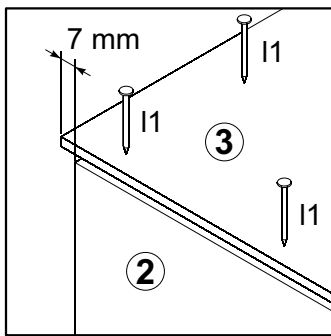
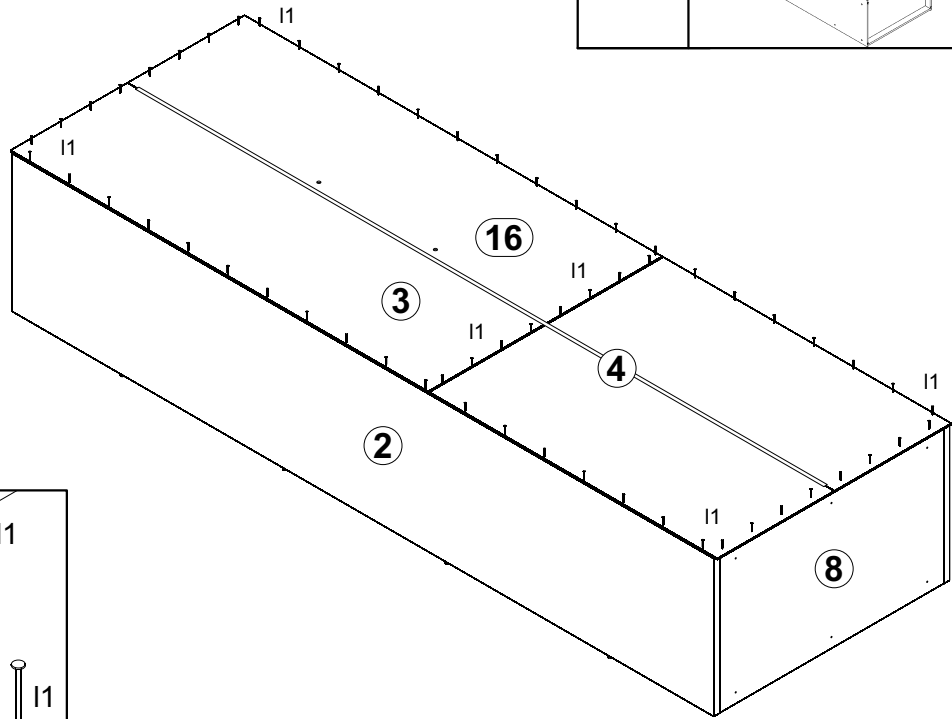
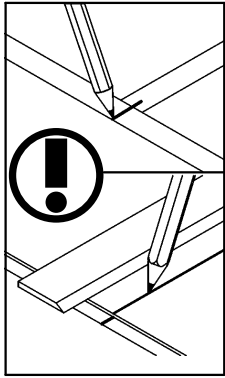
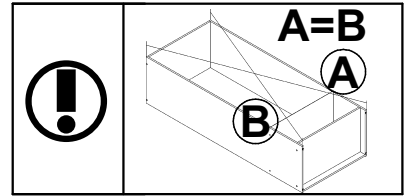
1



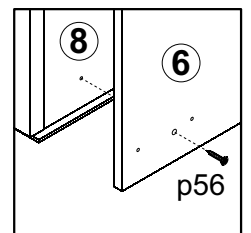
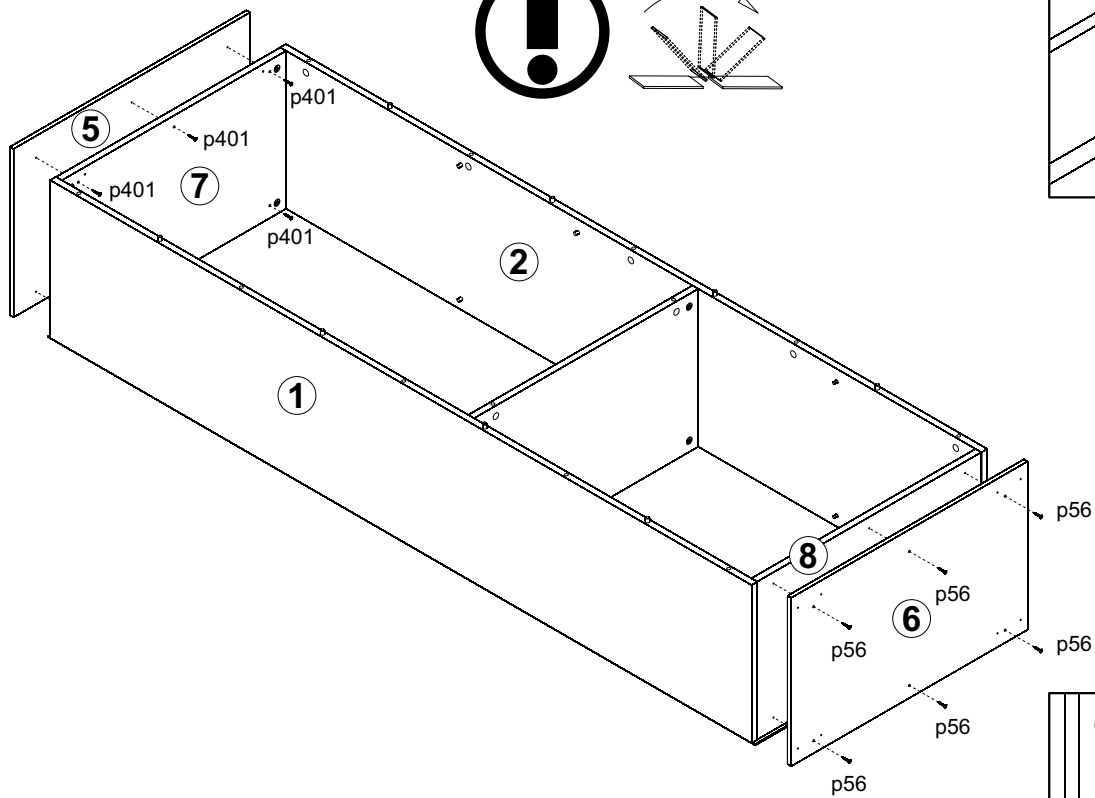
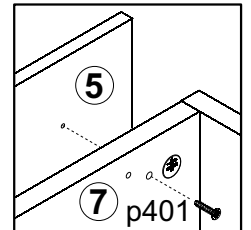
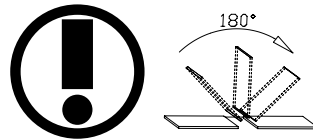
2



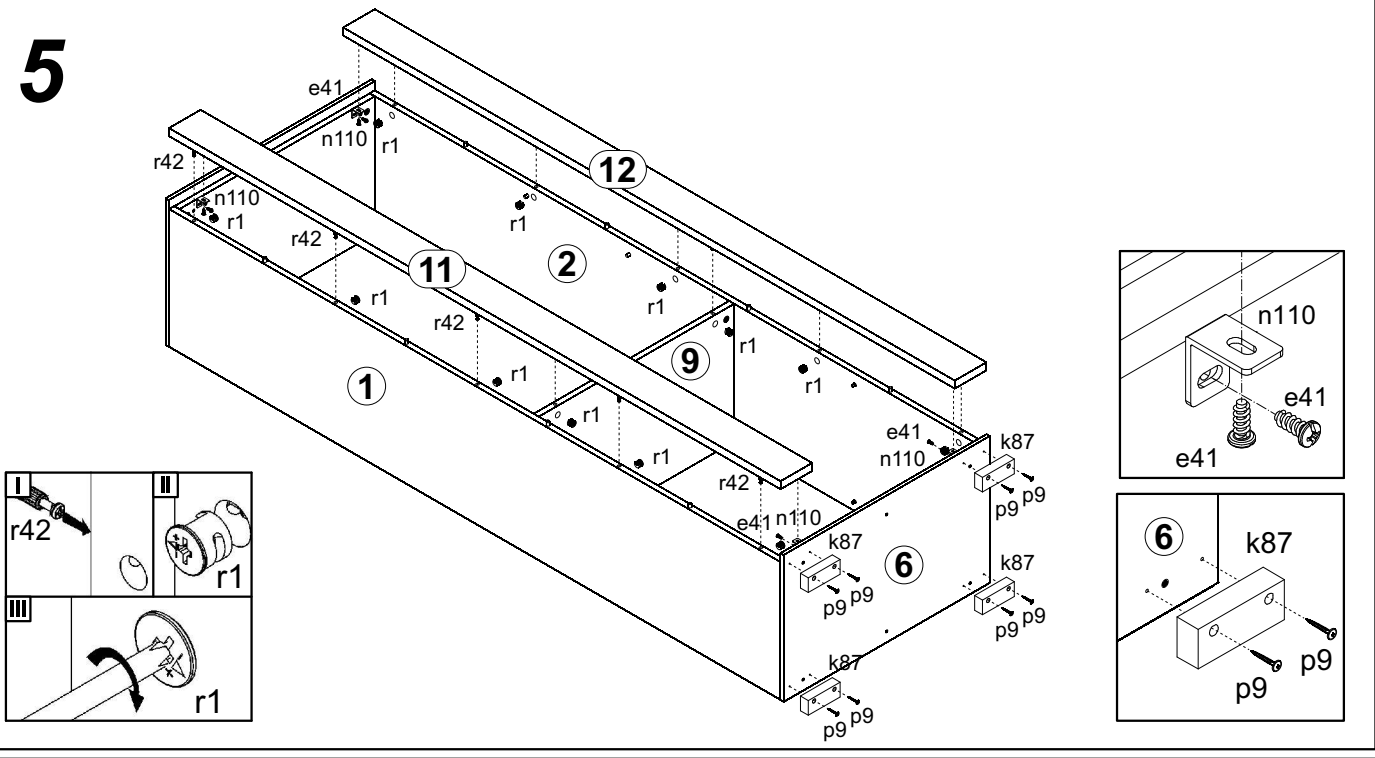
3



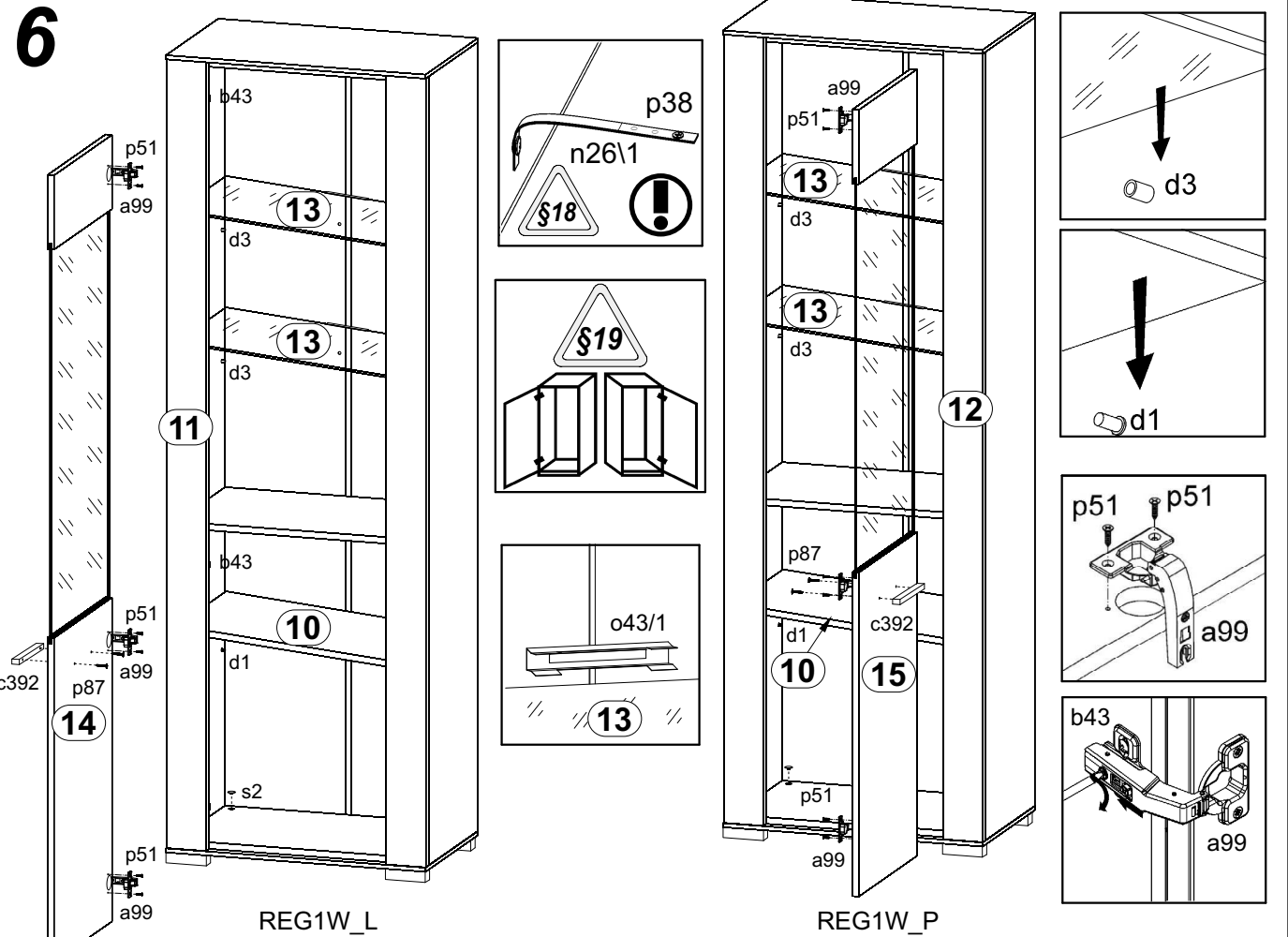
4



5



6



REG1W_L

REG1W_P

